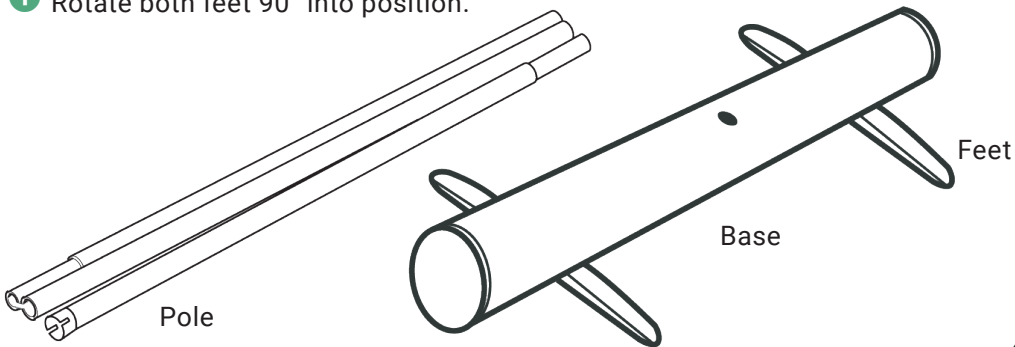


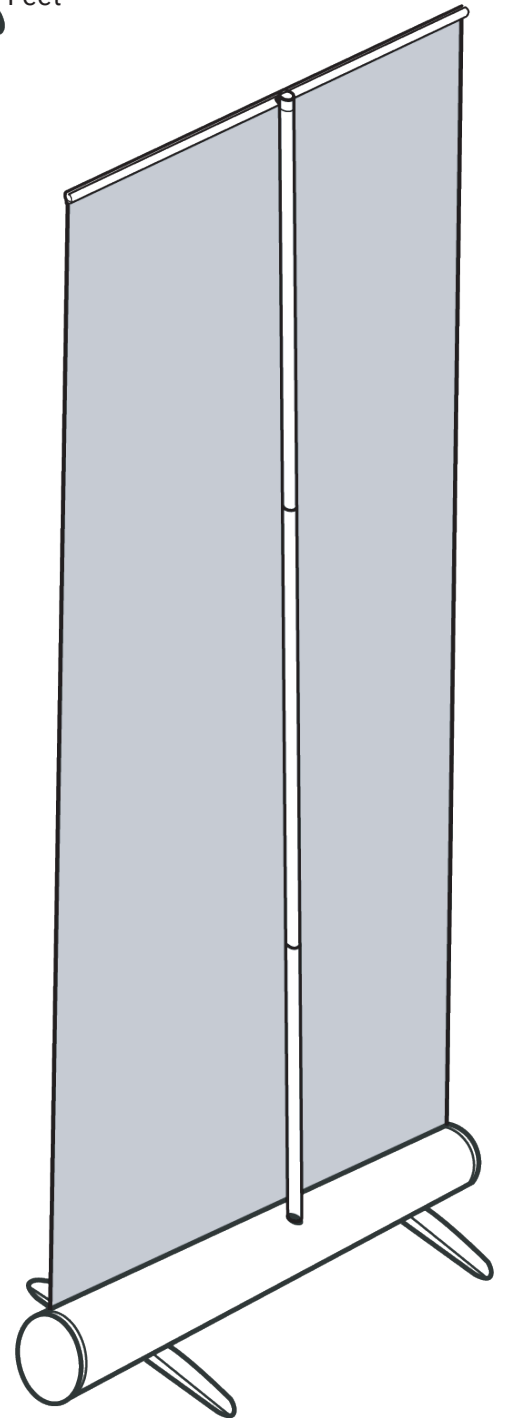
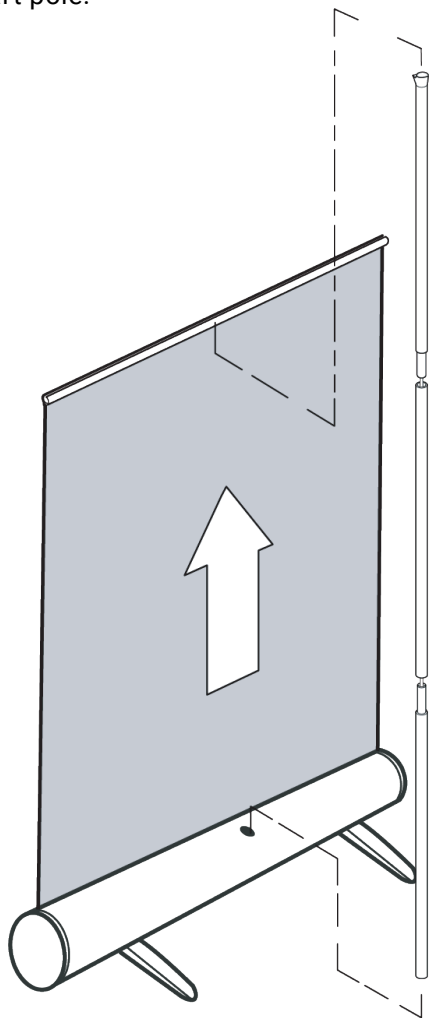
Pull-Up Banner Stand

NORTH
EAST
COLOR

- 1 Rotate both feet 90° into position.



- 2 Insert the assembled three part pole into the designated opening in the base. Pull the banner up and out of the base and clip it to the top of the three part pole.



NOTE: If necessary to reach the top, lean the entire stand backwards until you can reach it.